

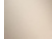


33 800 861



- 200mm projection
- pivotable spout 360°
- Optional swivel limiter available with swivel limiter set 12 820 970 90
- air-enriched flow
- height of mixer 333 mm
- height up to aerator 258 mm
- hole diameter 35 mm
- 2 x pressure hose with 3/8" cap nut
- max. flow 5.7 l/min at 3 bar flow pressure
- lead-free
- This product can help a building meet the requirements of Green Building Rating Systems, e.g. LEED®, BREEAM®, DGNB

Not possible in combination with rinsing spray.

	Chrome	33 800 861-00 0010
	Brushed Platinum	33 800 861-06 0010
	Platinum	33 800 861-08 0010
	Durabronze (23kt Gold)	33 800 861-09 0010
	Dark Chrome	33 800 861-19 0010
	Brushed Durabronze (23kt Gold)	33 800 861-28 0010
	Matte Black	33 800 861-33 0010
	Brushed Champagne (22kt Gold)	33 800 861-46 0010
	Champagne (22kt Gold)	33 800 861-47 0010
	Brushed Chrome	33 800 861-93 0010
	Brushed Dark Platinum	33 800 861-99 0010

Recommended miscellaneous

Swivel limitation set - 12 820 970 90



Recommended miscellaneous

AIR SWITCH Control button - Chrome 10 713 970-00



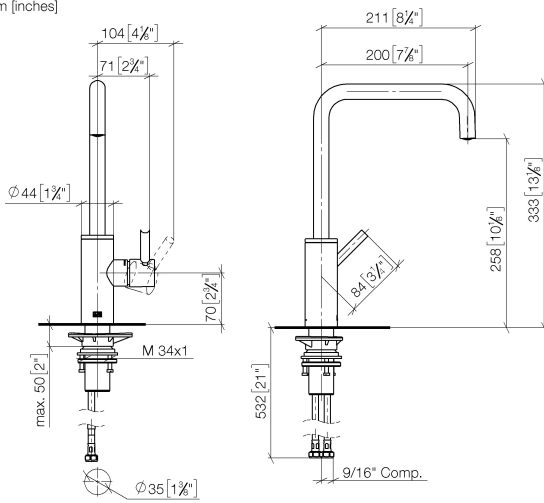
Recommended miscellaneous

Dispenser with rosette - Chrome 82 444 970-00

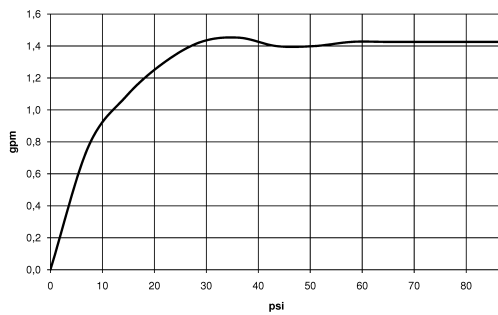


33 800 861

mm [inches]



Flow rate chart



Codes & Standards

California Energy
Commission
(CEC)

33 800 861

